



# TERA7 HE

7" TFT

HIGH END DISPLAY



# L'EVOLUZIONE DELLA SPECIE

## THE EVOLUTION OF THE SPECIES

**DA  
IERI**  
*FROM  
YESTERDAY*



*TERA7 LE*



*TERA7 EASYFIT  
ISOBUS*



*TERA7 FLEX*



*TERA7 HE*

**AD  
OGGI**

*TO  
TODAY*

# TERA7 HE TOUCHSCREEN



**TERA7 HE** è il nuovo display COBO di fascia alta, progettato specificamente per il mercato off-highway in cui è necessaria un'interfaccia operatore robusta

Le sue caratteristiche sono: massima leggibilità in qualsiasi condizione di luce, grafica veloce e fluida e interazione utente ottimale.

È stato progettato secondo gli standard industriali e agricoli per adattarsi al meglio alle applicazioni interno ed esterno cabina di oggi e di domani, con temperature e condizioni meteorologiche severe, radiazioni solari, sostanze chimiche, EMC e vibrazioni.

***TERA7 HE** is the new COBO high end display, specifically designed for the off-highway market where a rugged operator interface is needed.*

*Its characteristics are: top readability in any light conditions, fast and smooth graphics and optimal user interaction.*

*It has been designed according to industrial and agriculture standards to suit at best in both inside and outside cabin applications of today and tomorrow, with severe temperature and weather conditions, solar radiations, chemicals, EMC and vibrations as well.*



**CAN J1939  
ISOBUS - ISO11783**



P/N	Touchscreen	Pkg Q.ty
1096290	✓	1

## SPECIFICHE TECNICHE

Alimentazione	10 - 32V
Temperatura di funzionamento	- 30°C ÷ +70°C
Grado di protezione	IP66
Processore	ARM Cortex-A7 dual + ARM Cortex-M3, 32 bit
Frequenza	650MHz
Memoria interna	8 GB Flash
RAM	1 GB
Display	TFT 7" IPS, 800 x 480 pixels Luminosità 1000 cd/m <sup>2</sup> , Contrasto 1200:1 Tecnologia optical bonding
Orientamento	Orizzontale Verticale*
Visibilità al sole	✓
Touchscreen	Multitouch capacitivo Funzionamento con guanti da lavoro
RTC	✓
Modalità di risveglio	Ingresso chiave, messaggio CAN
Tempo di avvio	<1 sec. per logo iniziale, <5 sec. per grafica completa
Sensore temperatura interna	✓
Accelerometro/Giroscopio	✓
Tasti	8 tasti touch con retroilluminazione
Buzzer	90 dB @ 30 cm
Porte CAN BUS	2
RS232	1
Porte USB	1 HOST su lato contenitore 1 OTG su connettore
Ingressi video	2 Analogici PAL/NTSC 1 Digitale via BroadR-Reach*
Ethernet	1 BroadR-Reach*
Audio	1 Ingresso Audio Mic* 1 Uscita Audio Stereo LINEA (non amplificata)*
Bluetooth	✓*
Wi-Fi	✓*
Lista I/O	2 ingressi analogici 2 ingressi digitali 2 ingressi RPM 2 uscite Low Side 1A 2 uscite High Side 1A
Connettori	1 x AMP Superseal 34 pin
Sistema operativo	Linux embedded
Standard	Industriale, veicoli stradali, agricolo, ISOBUS*
Linguaggi di programmazione	C, C++, QT/QML*
Programming IDE	VT3

\*Opzionale su richiesta

## TECHNICAL SPECIFICATIONS

Power supply	10 - 32V
Operative temperature	- 30°C ÷ +70°C
Sealing degree	IP66
Main CPU	ARM Cortex-A7 dual + ARM Cortex-M3, 32 bit
Frequency	650MHz
Internal memory	8 GB Flash
RAM	1 GB
Display	TFT 7" IPS, 800 x 480 pixels Brightness 1000 cd/m <sup>2</sup> , Contrast ratio 1200:1 Optical bonding technology
Orientation	Landscape Portrait*
Sun readability	✓
Touchscreen	Capacitive multitouch Working gloves operable
RTC	✓
Wake up modes	Ignition key, CAN message
Boot time	<1 sec. splash screen, <5 sec. full graphic
Internal temperature sensor	✓
Internal accelerometer /gyroscope	✓
Keypad	8 touch buttons with backlight
Buzzer	90 dB @ 30 cm
CAN BUS ports	2
RS232	1
USB ports	1 HOST on housing side 1 OTG connector
Video Input	2 Analog PAL/NTSC 1 Digital via BroadR-Reach*
Ethernet	1 BroadR-Reach*
Audio	1 Audio Mic input* 1 Audio LINE Stereo output (not amplified)*
Bluetooth	✓*
Wi-Fi	✓*
I/O List	2 analog inputs 2 digital Inputs 2 RPM inputs 2 Low Side outputs 1A 2 High Side outputs 1A
Connector	1 x AMP Superseal 34 pin
Operating System	Linux embedded
Standards	Industrial, road vehicles, agriculture, ISOBUS*
Programming languages	C, C++, QT/QML*
Programming IDE	VT3

\*Optional upon request

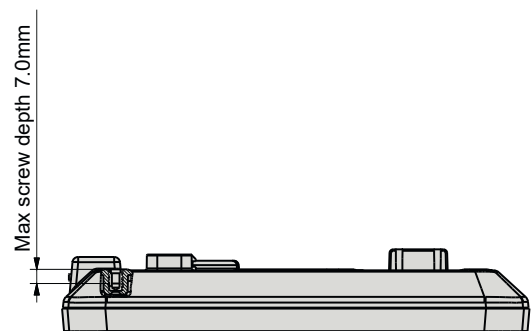
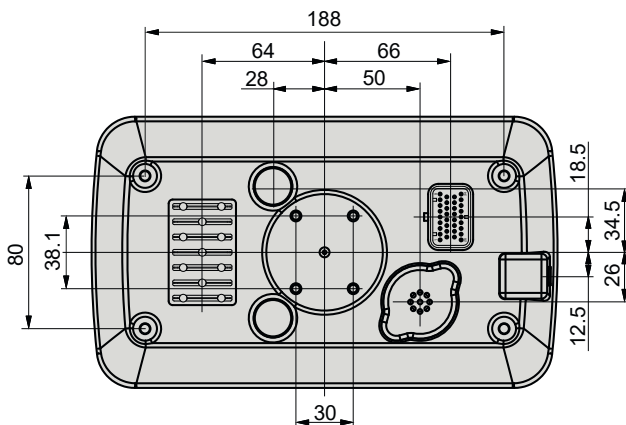
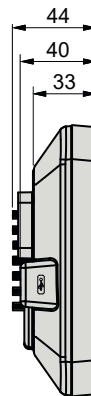
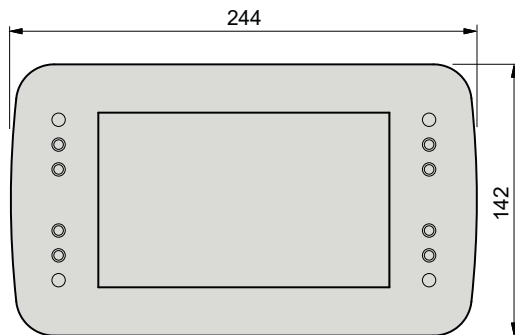
# TERA7 HE TOUCHSCREEN



**VISTA FRONTALE**  
FRONT VIEW



**VISTA POSTERIORE**  
REAR VIEW





#### GERMANY



**COBO DEUTSCHLAND GmbH**  
Zum Schürmannsgraben, 12E  
D-47441 - Moers  
Germany  
Phone: +49 (0) 2841 88238 0  
Fax: +49 (0) 2841 88238 23  
E-mail: [info@cobogroup.net](mailto:info@cobogroup.net)  
Web Site: [www.cobo-deutschland.com](http://www.cobo-deutschland.com)

#### FRANCE



**COBO FRANCE Sarl**  
Allée de l'Europe, 2 - Zone Coriolis  
71210 - Ecuisses  
France  
Phone: +33 (0) 3 857 30560  
Fax: +33 (0) 3 857 85606  
E-mail: [info@cobogroup.net](mailto:info@cobogroup.net)  
Web Site: [www.cobofrance.com](http://www.cobofrance.com)

#### NORTH AMERICA



**COBO USA Corporation**  
304 West Division Street  
West Burlington, IA 52655  
USA  
Phone: +1 319 754 5585  
Fax: +1 319 754 8724  
E-mail: [info@cobogroup.net](mailto:info@cobogroup.net)  
Web Site: [www.cobointernational.com](http://www.cobointernational.com)

#### LATIN AMERICA



**COBO COMPONENTES AGR. E IND. Ltda**  
Rua Dona Francisca, 8300 - Bloco 9-C  
89219-600 Zona Industrial - Joinville  
Santa Catarina - Brasil  
Phone: +55 47 3305 0095  
E-mail: [info@cobogroup.net](mailto:info@cobogroup.net)  
Web Site: [www.cobogroup.net](http://www.cobogroup.net)

#### OCEANIA



**COBO OCEANIA Ltd**  
Burnside Road, 9/93  
4207 Stapylton - Brisbane  
Queensland - Australia  
Phone: +61 (0) 7 3807 4866  
Fax: +61 (0) 7 3807 6780  
E-mail: [info@cobogroup.net](mailto:info@cobogroup.net)  
Web Site: [www.cobo.com.au](http://www.cobo.com.au)

#### SOUTH-EAST ASIA



**COBO ASIA Ltd**  
Heung Yip Road, 2 - One Island South  
622 6/F Unit - Wong Chuk Hang  
Hong Kong  
Phone: +852 3590 3588  
Fax: +852 3590 3566  
E-mail: [info@cobogroup.net](mailto:info@cobogroup.net)  
Web Site: [www.cobogroup.net](http://www.cobogroup.net)

#### CHINA



**COBO GUANGZHOU Ltd**  
Qiaotou Street, 226 - Beishan - Haizhu  
51000 - Guangzhou  
People's Republic of China  
Phone: +86 20 8922 5611  
Fax +86 20 8922 5635  
E-mail: [info@cobogroup.net](mailto:info@cobogroup.net)  
Web Site: [www.cobochina.cn](http://www.cobochina.cn)

#### INDIA



**COBO INDIA Branch Office**  
Mathura Road, 13/6 - 2nd floor, 205  
121003 NH-2 - Faridabad  
Haryana - India  
Phone: +91 129 4871206  
Email: [info@cobogroup.net](mailto:info@cobogroup.net)  
Web Site: [www.cobogroup.net](http://www.cobogroup.net)



#### C.O.B.O. SpA

Via Tito Speri, 10  
25024 Leno (Brescia) ITALY  
Phone +39 030 90451  
Fax +39 030 9045330



[info@cobogroup.net](mailto:info@cobogroup.net) | [www.cobogroup.net](http://www.cobogroup.net)

Le informazioni contenute nella presente informativa hanno scopo puramente indicativo.  
L'Azienda si riserva senza preavviso il diritto di apportare qualsiasi modifica tecnica del prodotto.  
*The information published in this catalogue is purely indicative. The Company reserves the right to introduce all technological changes of the present product at any time and without prior notice.*